

THIS DRAWING IS UNPUBLISHED.

RELEASED FOR PUBLICATION

-. -. .

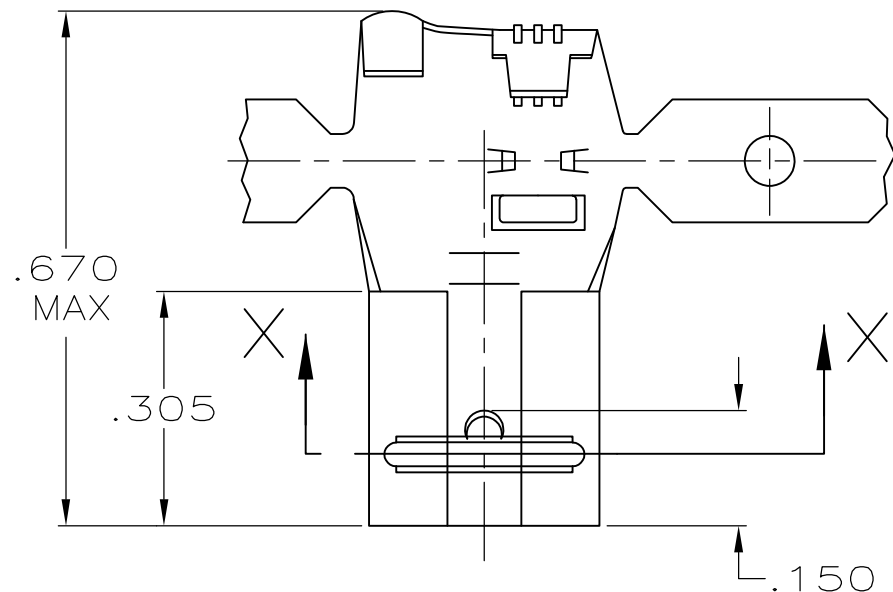
© COPYRIGHT - By -

ALL RIGHTS RESERVED.

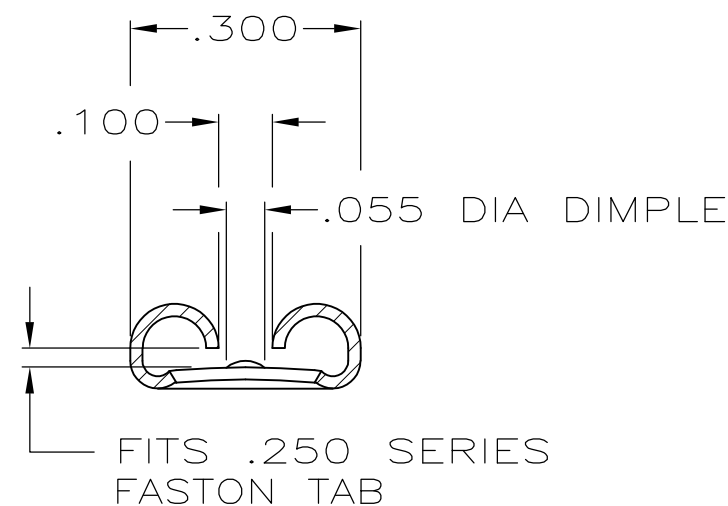
LOC AF DIST 50

REVISIONS

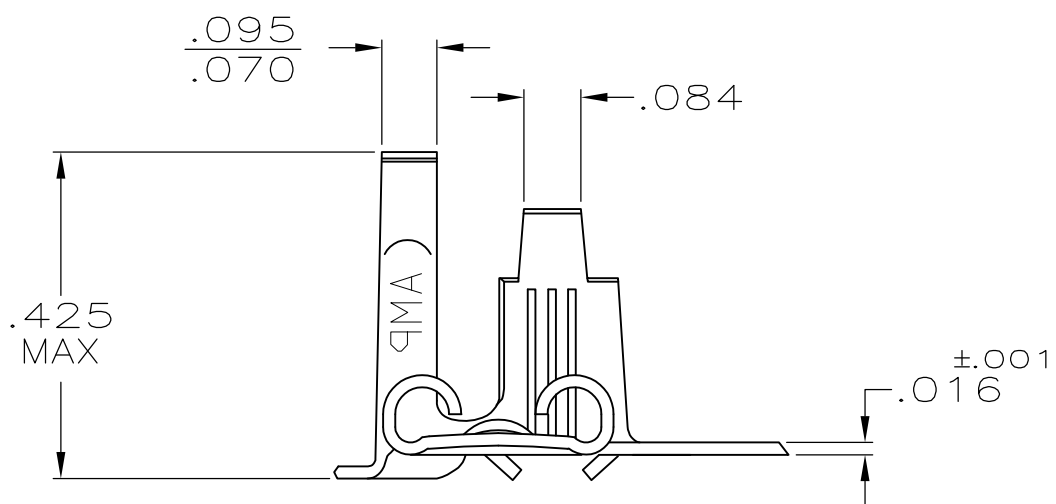
P	LTR	DESCRIPTION	DATE	DWN	APVD
S		REVISED PER ECR-12-013445	18OCT12	KH	PD




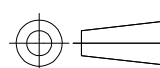
- 1 CONTINUOUS STRIP ON REELS.
- 2 FEED IS .760±.005.



SECTION X-X



TIN	.110-.210	18-12 AWG	.032	42511-2
-	.110-.210	18-12 AWG	.032	42511-1
FINISH	INSULATION RANGE	WIRE SIZE	MATING TAB THK ±.001	PART NO

THIS DRAWING IS A CONTROLLED DOCUMENT.		DWN JR RUTH 1/24/91	 TE Connectivity					
DIMENSIONS: INCHES		CHK P FORTNEY 1/24/91				NAME RECEPTACLE, FASTON, FLAG, .250 SERIES		
		APVD C MEYERS 1/24/91						
TOLERANCES UNLESS OTHERWISE SPECIFIED:		PRODUCT SPEC	RESTRICTED TO					
0 PLC ± - 1 PLC ± - 2 PLC ± - 3 PLC ± .015 4 PLC ± - ANGLES ± -		APPLICATION SPEC	SIZE	CAGE CODE	DRAWING NO			
MATERIAL BRASS		FINISH SEE TABLE	A300779		C-42511			
CUSTOMER DRAWING			SCALE 4:1	SHEET 1 OF 1	REV S			